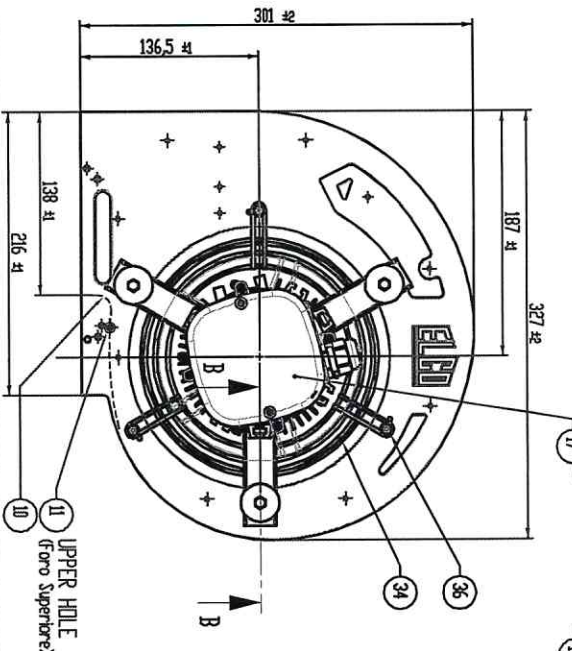
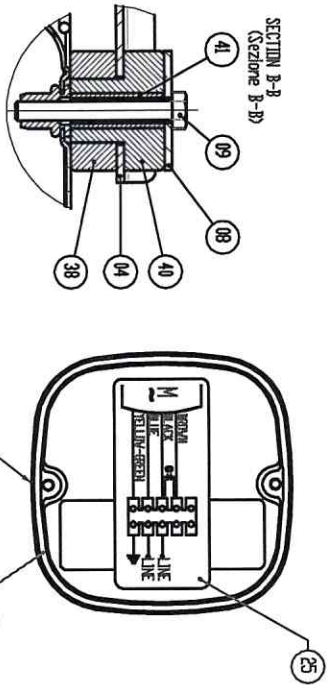


SCREW TORQUE IN ACCORDANCE WITH ELANJIBOS
(Doppia di serraggio viti secondo normativa ELANJIBOS)

MATERIALS (Materie plastiche)	ALUMINIUM - Spina Wheels (Aluminio - de nostro GALVANIZED IRON SHEET (Lathiera Zincata)
RODERS (Cavetti)	GALVANIZED IRON SHEET (Lathiera Zincata)
TRACKS (Cassette)	GALVANIZED IRON SHEET (Lathiera Zincata)
SCREWS, WASHERS AND NUTS (Viti, Bulli e Rondelle)	

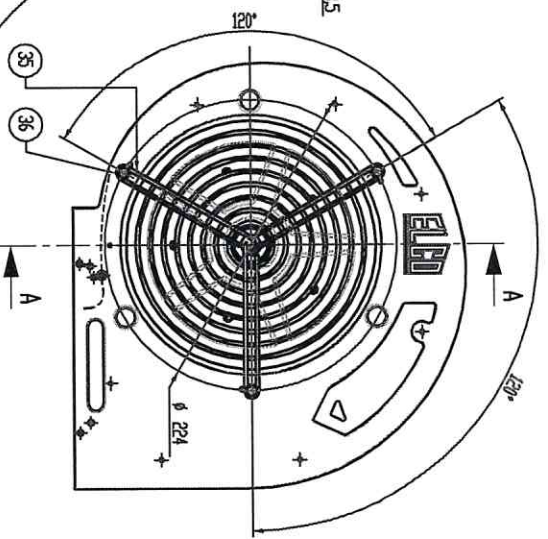
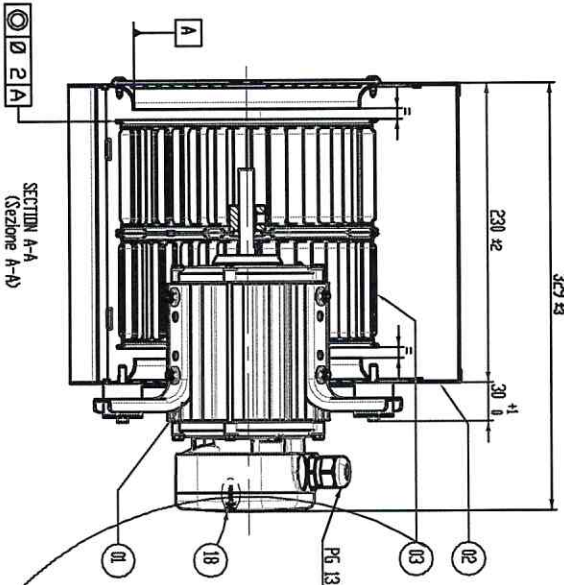
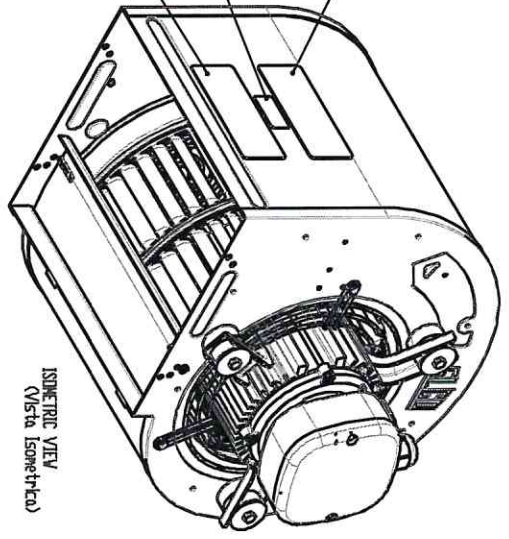
BALANCING GRADE (Grado di Bilanciatura)	G. 6,3
ELECTRICAL SPECIFICATION (Prescrizioni di Galvanico)	G. 17/42/3B
Accessories KIT - Right & Left Support (R. Req.41482/01)	



This fan motor is suitable only for kitchen hood < 280V and consequently not subject to CE 327/2011 regulation implementing directive 2009/125/EC. Questa apparecchiatura è destinata unicamente per l'utilizzo nelle cucine aspiratrici da cucina < 280V. Questa apparecchiatura non è soggetta alla direttiva 2009/125/CE.



CODE	DEAR41B05R
TYPE	DD 7/7 145-4P-1V-M / 284
230V 1~	50/60Hz 145V 1300rpm 5A 450 VA
18 Amax (50 Hz)	19 Amax (60Hz)
THP-rot	CL.F JP54 hnd4891V
MOTOR	4000204/50
DATE	



Rel.	DD 7/7 145-4P-1V-M / 284	DEAR41B05R
Rev.	1	
Drawn	DD 7/7 145-4P-1V-M / 284	
Check	1	
Scale	1:1	
Weight gr.		
Release		
Material		
Treatment		
For dimension without tolerance see standard UNI EN 22788-1K		
DESCRIPTION	CENTRIFUGAL BLOWER	
230V 1~	50/60Hz	
DD 7/7 145-4P-1V-M / 284		
THIS DRAWING IS OUR PROPERTY. ANY PARTIAL OR COMPLETE COPY IS FORBIDDEN WITHOUT PREVIOUS WRITTEN AUTHORIZATION.		